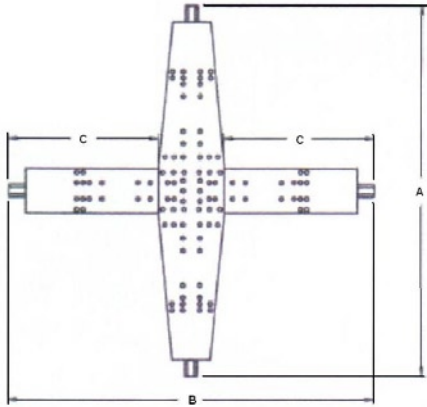




APE HOLLAND

**Quad Beam for Model 400 and 600 vibro**



	Weight	A	B	C
11 ft. 3.35 m	4.309 kg	340 cm	345 cm	134.6 cm
15 ft. 3.93 m	5.896 kg	457.2 cm	467.3 cm	190.5 cm
17 ft. 5.18 m	6.803 kg	523.2 cm	528.3 cm	226 cm

Model	Weight	Piston dia.	Piston Stroke	Piston force	Cyl. force	Clamp force	A	B	C	D	E	F	G	H	I	J	K	L
200 caisson clamp	998 kg	203 mm	57 mm	1005 kN	2010 kN	270 mm	270 mm	279 mm	573 mm	274 mm	168 mm	184 mm	38 mm	355 mm	-	270 mm	279 mm	590 mm

