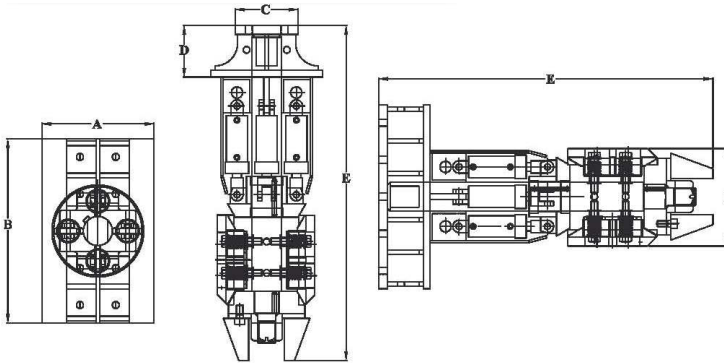
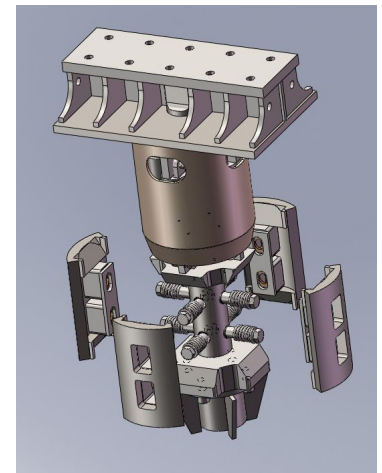
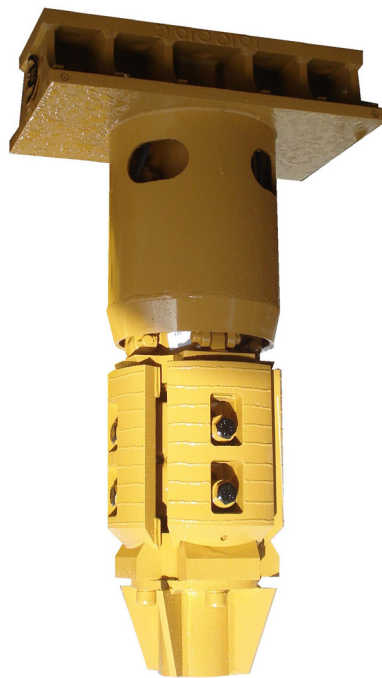
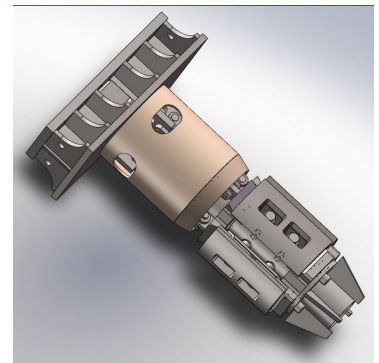


Internal Pipe Clamp



Weight	A	B	C	D	E	F
1525 kg	635 mm	1040 mm	355 mm	290 mm	1895 mm	551 mm



APE HOLLAND