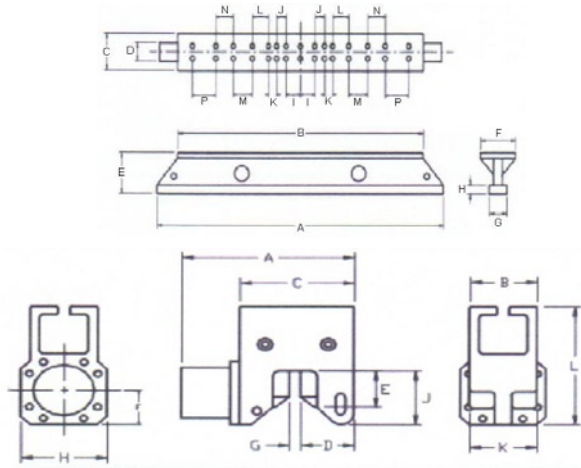


Caisson beam with caisson clamp



Model	Weight	A	B	C	D	E	F	G	H	I	J	K	L	M	N	P	R
2.5 m. caisson beam	1496 kg	2.48 m	2.13 m	305 mm	152 mm	349 mm	305 mm	305 mm	76 mm	127 mm	84 mm	70 mm	140 mm	165 mm	152 mm	203 mm	
3.35 m caisson beam	2041 kg	3.4 m	3.04 m	305 mm	152 mm	340 mm	305 mm	305 mm	76 mm	127 mm	84 mm	70 mm	140 mm	165 mm	152 mm	203 mm	229 mm

Model	Weight	Piston dia.	Piston Stroke	Cyl. force	Clamp force	A	B	C	D	E	F	G	H	I	J	K	L
100 caisson clamp	680 kg	203 mm	57 mm	1005 kN	2010 kN	651 mm	279 mm	473 mm	152 mm	168 mm	159 mm	38 mm	355 mm	-	270 mm	279 mm	594 mm
200 caisson clamp	998 kg	203 mm	57 mm	1005 kN	2010 kN	270 mm	279 mm	573 mm	274 mm	168 mm	184 mm	38 mm	355 mm	-	270 mm	279 mm	590 mm

